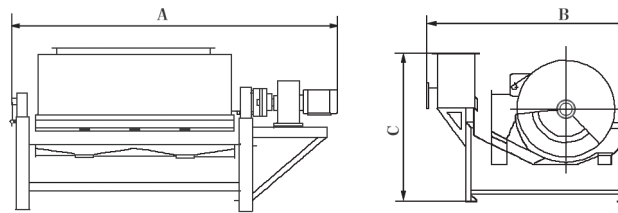
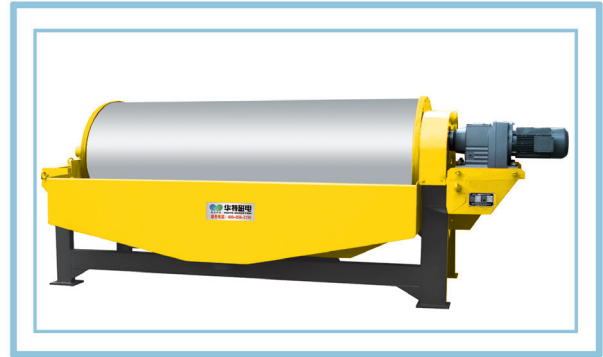


型号说明:

Model instruction:

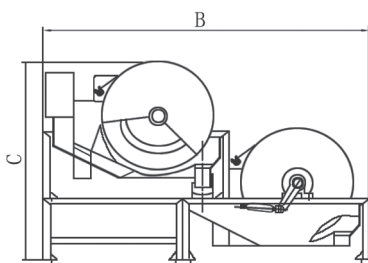
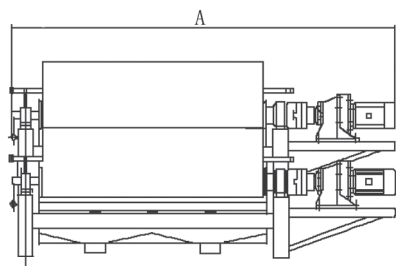
2 X C T N XX XX



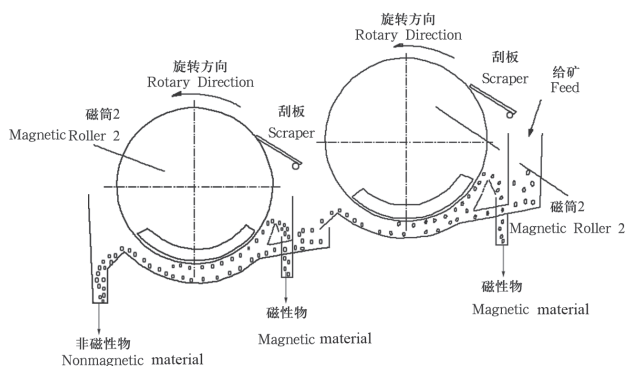
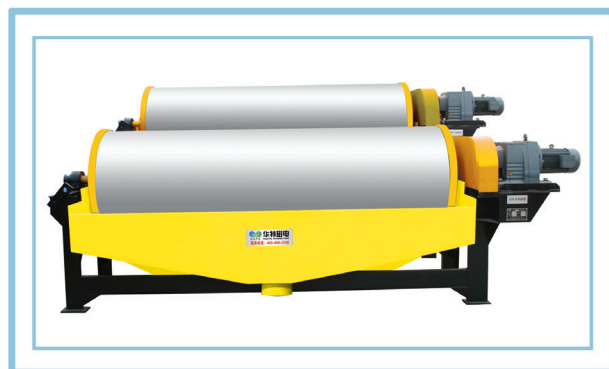
外形尺寸图
Appearance Size

主要技术参数 General Technical Parameters:

型号 Model	筒径 Drum length (mm)	筒长 Drum diame- ter(mm)	筒表磁感应强度 Magnet intensity mT	处理能力 (按矿浓度 30%时/h) Processing Capacity (Mineral Concen- tra-tion30%)	外型尺寸 (Appearance Size) AxBxC mm	电机功率 Motor Power kW	总重 Weight (kg)	筒体转速 Drum Rotary speed r/min
CTN1012	1050	1200	150 ~ 300	50-160	2650×2170×1705	3	2600	21
CTN1015		1500		70-200	2965×2170×1705	4	3200	
CTN1018		1800		90-260	3265×2170×1705	4	3700	
CTN1021		2100		120-300	3715×2170×1705	5.5	4200	
CTN1024		2400		150-400	4015×2170×1705	5.5	4900	
CTN1027		2700		180-350	4315×2170×1705	5.5	5500	
CTN1030		3000		230-400	4835×2170×1705	7.5	5900	
CTN1218	1200	1800	150 ~ 300	130-320	3265×23805×1935	5.5	4300	16
CTN1224		2400		190-380	4015×23805×1935	7.5	5600	
CTN1230		3000		280-460	4835×23805×1935	7.5	6400	



外形尺寸图
Appearance Size



工作原理图
Work Principle

主要技术参考 Aeneral Technical Parameters:

型号 Model	筒径 Drum Length (mm)	筒长 Drum Diameter (mm)	筒表磁感应强度 Magnet intensity mT	处理能力 (按矿浆浓度 30% 时的体积计 m ³ /h) Processing Capacity (30% of Mineral Pulp Concentration)	外型尺寸 Appearance Size AxBxC mm	电机功率 Motor power	总重 Total Weight (kg)	筒体转速 Drum Rotary Speed r/min
2XCTN1012	1050	1200	150 ~ 300	50-160	2650×3130×1940	XWD3-6-1/71 Y100L-4 3KW	5600	21
2XCTN1015		1500		70-200	2965×3130×1940	XWD4-7-1/71 Y112M-4 4KW	6200	
2XCTN1018		1800		90-260	3265×3130×1940	XWD4-7-1/71 Y112M-4 4KW	7000	
2XCTN1021		2100		120-300	3715×3130×1940	XWD-5 5-7-1/71 Y132S-4 5.5KW	8100	
2XCTN1024		2400		150-400	4015×3130×1940	XWD5.5-7-1/71 Y132S-4 5.5KW	9500	
2XCTN1027		2700		180-350	4315×3130×1940	WD5.5-7-1/71 Y132S-4 5.5KW	10900	
2XCTN1030		3000		230-400	4835×3130×1940	XEDY7.5-8-1/71 Y132M-4 7.5KW	11140	
2XCTN1218	1200	1800	150 ~ 300	120-320	3265×3905×2735	XWDY7.5-8-1/59 Y160M-6 5.5KW	8300	16
2XCTN1224		2400		190-380	4015×3905×2735	XWDY5.5-7-1/59 Y132M-6 7.5KW	10800	
2XCTN1230		3000		280-460	4835×3905×2735	XWDY7.5-8-1/59 Y160M-6 7.5KW	3100	